

FLOOD LIGHT HIGH MAST SERIES

I-FHM-07



Our high mast range is perfect for very large surfaces, sports facilities, or industrial yards. Modular design with integrated driver helps to range from 250W to 1000W and helps for easy adjustment. Fade resistant powder coating and UV resistant PC optics ensure durability.

Projecteur LED haute puissance pour terrains de sports et zones de stockage extérieur. Design modulaire avec driver intégré allant de 250W jusqu'à 1000W. Réglage facile avec étriers ajustables. Peinture spéciale anti-vieillessement. Optiques en polycarbonate anti-UV.

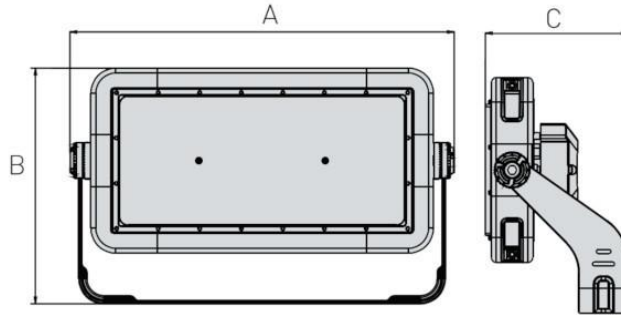
| | | |
|---------------------|---|--------------------------------------|
| AC Input | 100 – 240V | <i>Alimentation</i> |
| Light Source | SMD | <i>Source</i> |
| Wattage | 250W 500W 750W 1000W | <i>Puissance</i> |
| Lumen Output | 35000Lm 70000Lm 105000Lm 140000Lm | <i>Flux lumineux</i> |
| Efficiency | 140Lm/W | <i>Efficacité</i> |
| Beam Angle | 10° 25° 45° 60° 90° | <i>Angles</i> |
| Color (K) | 3000° 4000°K 5000°K 6500°K | <i>Température</i> |
| Finish | Black | <i>Finition</i> |
| Working temperature | -30° / +50°C | <i>Température de fonctionnement</i> |
| Lifetime | 50,000h | <i>Durée de vie</i> |
| Standard | L80B10 | <i>Norme</i> |
| Protection | IP66 | <i>Indice</i> |

| | | |
|------------------|---|---------------------------|
| Dimming (Option) | 1-10V DALI Phase dimming | <i>Contrôle (Option)</i> |
| Certification | CE ENEC RoHS | <i>Certification</i> |
| CRI | 80 | <i>IRC</i> |
| Safety Class |  | <i>Classe de sécurité</i> |
| EN62471 | RG0 | <i>EN62471</i> |
| SDCM | <5 | <i>SDCM</i> |
| UGR | <22 | <i>UGR</i> |

Product Photo | *Photo du produit*



Dimensions | *Dimensions*



| Model | Size A (mm) | Size B (mm) | Size C (mm) |
|----------------|-------------|-------------|-------------|
| I-FHM-07-250W | 462mm | 282mm | 172mm |
| I-FHM-07-500W | 462mm | 496mm | 261mm |
| I-FHM-07-750W | 462mm | 676mm | 216mm |
| I-FHM-07-1000W | 462mm | 873mm | 216mm |

Product Code Generator | *Générateur de code produit*

